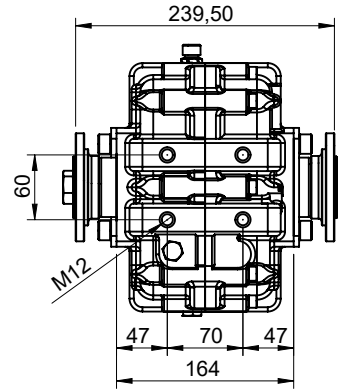
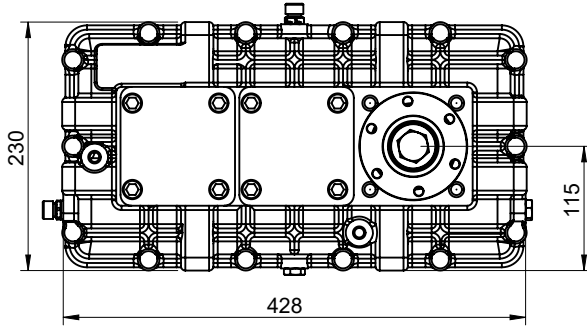
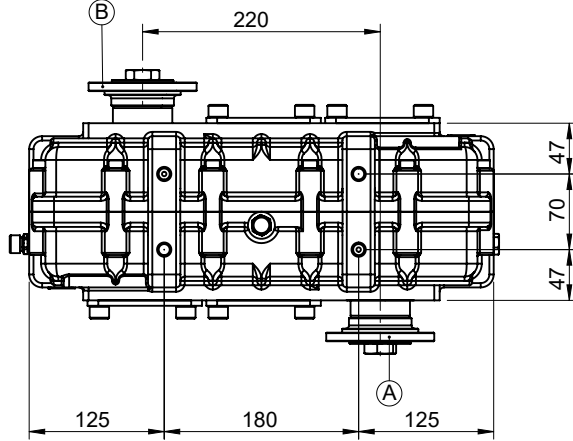


Application Type	Horizontal or Vertical Usage
Gearbox Type	3 Axis RPM Increaser or Decreaser

Product Code	KRD.28.2
Revision No- Date	02 / 28.06.2018

Products Views



Component Details

A : Input Flange
(ISO 7646, ISO 7647, DIN, SAE, ISO, UNI Standards)

B : Output Flange
(ISO 7646, ISO 7647, DIN, SAE, ISO, UNI Standards)

Technical Details

Outputs	Max. Power	Max. Torque		Input/Output	Mounting Type	Sense of Rotation
	<i>kW</i>	<i>Nm</i>	<i>kgm</i>			
A		1421	145		Split Shaft	Same as Input
B	150	1421	145	1/0,41 1/1,26 1/2,02 1/0,79 1/1,33 1/2,42 1/0,89 1/1,51 1/0,94 1/1,61 1/1 1/1,69		
					Weight	
					36 kg	